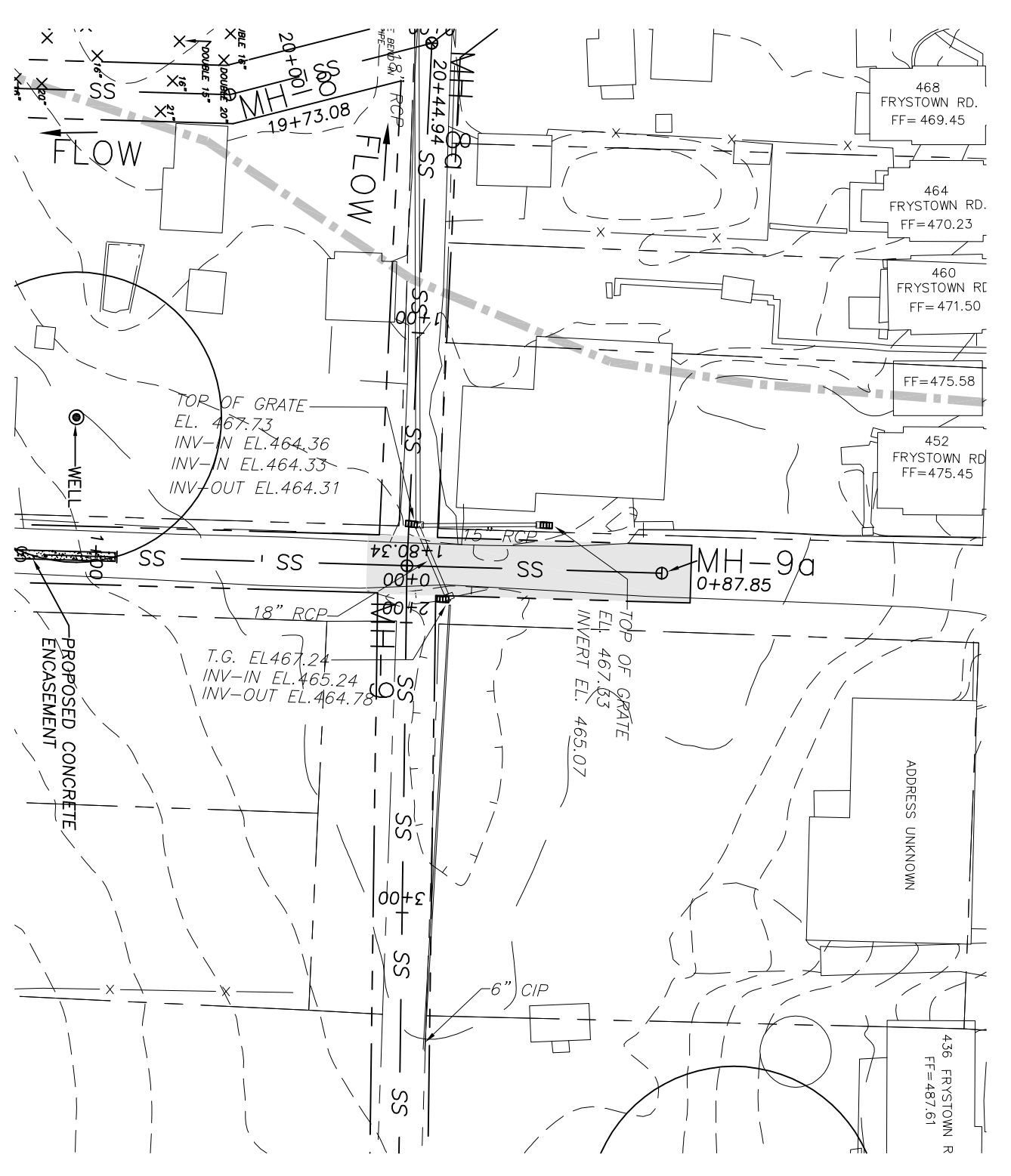
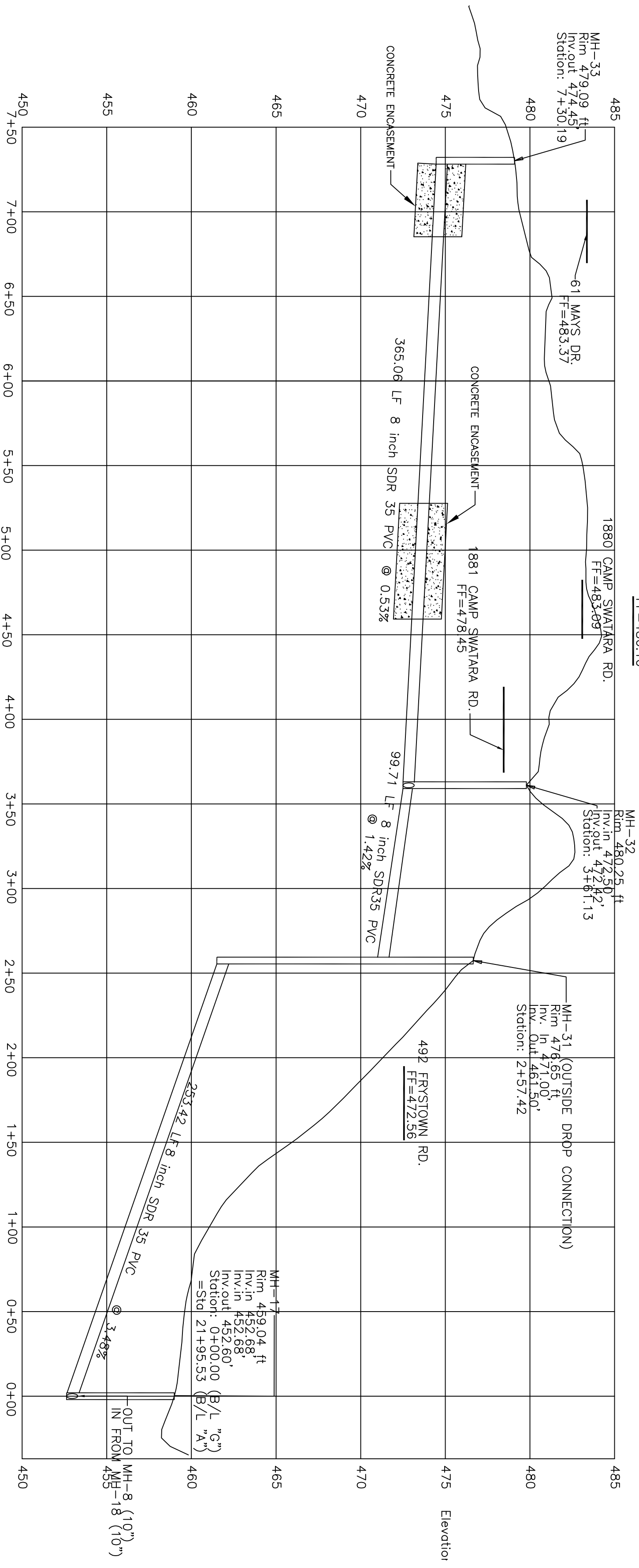


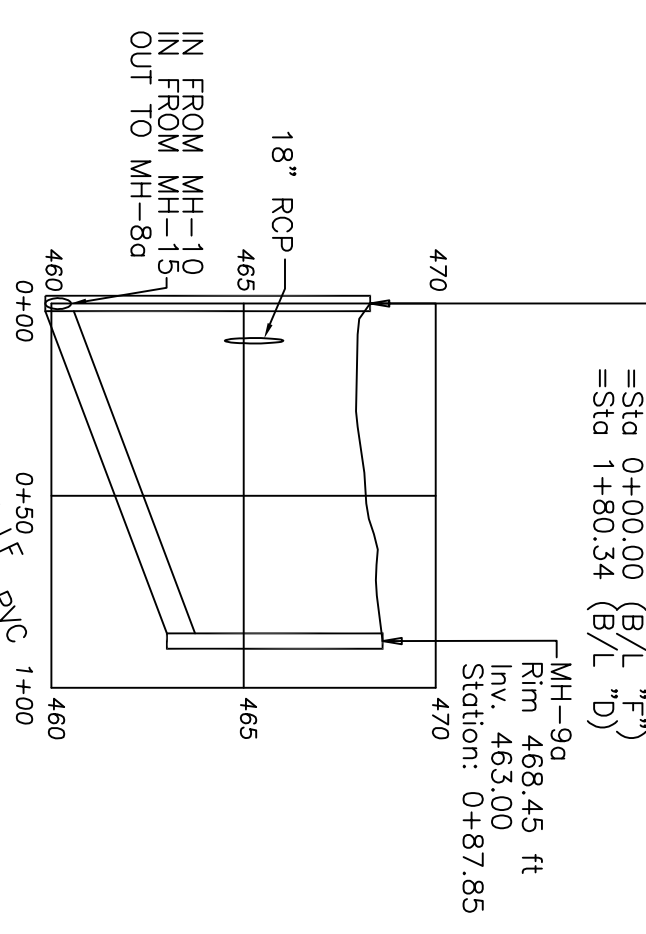
MANHOLE 25 TO 18 (BASELINE G)
PLAN



MANHOLE 9 TO 9a (BASELINE H)
PLAN



PROFILE
1" = 50' HORIZ.
1" = 5' VERT.



PROFILE
1" = 50' HORIZ.
1" = 5' VERT.

VISION ENGINEERING, INC.
CIVIL - SITE - MUNICIPAL
155 E. FRONT ST. - LITITZ, PA 17543
TEL. (717) 625-1930 FAX (717) 625 1931

PROJECT TITLE
**SANITARY SEWER PLANS
COLLECTION & CONVEYANCE LINES
FOR
THE VILLAGE OF FRYSTOWN**
BETHEL TOWNSHIP BERKS COUNTY, PA

SHEET TITLE
**PLAN AND PROFILE
(SHEET 9 of 9)**

CLIENT
**BETHEL TOWNSHIP
MUNICIPAL AUTHORITY
P.O. BOX 24
BETHEL, PA 19507
(717) 933-8813**

MANAGER:
JOHN K. ROCHE

DESIGN BY: **BSC/ASC** CHECKED BY: **JKR**

DRAWN BY: **JTB/ACH** CHECKED BY: **JKR**

SCALE
1" = 50'

SEAL	SEAL	
JOHN K. ROCHE PE-053824-E		
1	2/28/08	EASEMENT REVISION
NO	DATE	REVISION